

KitchenAid®

ICE MAKER

Use & Care Guide

For questions about features, operation/performance, parts, accessories or service, call: **1-800-422-1230** or visit our website at...
www.kitchenaid.com

In Canada, for assistance, installation and service, call: **1-800-807-6777** or visit our website at...
www.KitchenAid.ca

MACHINE À GLAÇONS

Guide d'utilisation et d'entretien

Au Canada, pour assistance, installation ou service composez le **1-800-807-6777** ou visitez notre site Web à...
www.KitchenAid.ca

Table of Contents/Table des matières2



TABLE OF CONTENTS

ICE MAKER SAFETY	2	ICE MAKER CARE	7
INSTALLATION INSTRUCTIONS	3	Cleaning	7
Unpack the Ice Maker	3	Vacation and Moving Care	9
Location Requirements	3	TROUBLESHOOTING	10
Electrical Requirements	3	Ice Maker Operation	10
Water Supply Requirements	4	Ice Production	10
Leveling	4	Ice Quality	11
Connect Water Supply	4	Plumbing Problems	11
Drain Connection	5	ASSISTANCE OR SERVICE	11
Normal Sounds	6	In the U.S.A.	11
ICE MAKER USE	6	In Canada	11
How Your Ice Maker Works	6	WARRANTY	12
Using the Controls	7		

TABLE DES MATIÈRES

SÉCURITÉ DE LA MACHINE À GLAÇONS	13	Utilisation des commandes	18
INSTRUCTIONS D'INSTALLATION	13	ENTRETIEN DE LA MACHINE À GLAÇONS	19
Déballage de la machine à glaçons	13	Nettoyage	19
Emplacement d'installation	14	Précautions à prendre pour les vacances ou le déménagement	21
Spécifications électriques	14	DÉPANNAGE	22
Spécifications de l'alimentation en eau	14	Fonctionnement de la machine à glaçons	22
Nivellement	15	Production de glaçons	22
Raccordement à la canalisation d'eau	15	Qualité des glaçons	23
Raccordement au conduit d'évacuation	16	Problèmes de plomberie	23
Sons normaux	17	ASSISTANCE OU SERVICE	23
UTILISATION DE LA MACHINE À GLAÇONS	18	GARANTIE	24
Fonctionnement de la machine à glaçons	18		

ICE MAKER SAFETY

Your safety and the safety of others are very important.

We have provided many important safety messages in this manual and on your appliance. Always read and obey all safety messages.



This is the safety alert symbol.

This symbol alerts you to potential hazards that can kill or hurt you and others.

All safety messages will follow the safety alert symbol and either the word "DANGER" or "WARNING."

These words mean:

⚠ DANGER

You can be killed or seriously injured if you don't immediately follow instructions.

⚠ WARNING

You can be killed or seriously injured if you don't follow instructions.

All safety messages will tell you what the potential hazard is, tell you how to reduce the chance of injury, and tell you what can happen if the instructions are not followed.

IMPORTANT SAFETY INSTRUCTIONS

WARNING: To reduce the risk of fire, electric shock, or injury when using your ice maker, follow these basic precautions:

- Plug into a grounded 3 prong outlet.
- Do not remove ground prong.
- Do not use an adapter.
- Do not use an extension cord.
- Disconnect power before cleaning.
- Disconnect power before servicing.
- Replace all parts and panels before operating.
- Use two or more people to move and install ice maker.

SAVE THESE INSTRUCTIONS

INSTALLATION INSTRUCTIONS

Unpack the Ice Maker

⚠ WARNING

Excessive Weight Hazard

**Use two or more people to move and install ice maker.
Failure to do so can result in back or other injury.**

Removing Packaging Materials

Remove tape and glue from your ice maker before using.

- To remove any remaining tape or glue from the exterior of the ice maker, rub the area briskly with your thumb. Tape or glue residue can also be easily removed by rubbing a small amount of liquid dish soap over the adhesive with your fingers. Wipe with warm water and dry.
- Do not use sharp instruments, rubbing alcohol, flammable fluids, or abrasive cleaners to remove tape or glue. Do not use chlorine bleach on the stainless steel surfaces of the ice maker. These products can damage the surface of your ice maker.

Cleaning Before Use

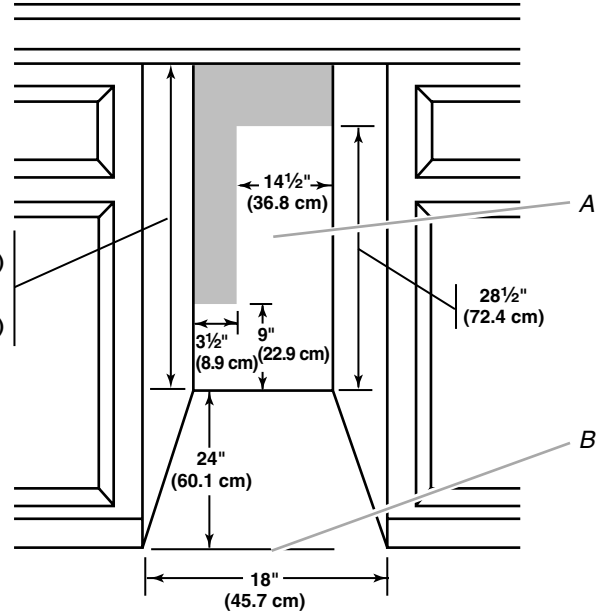
After you remove all of the packaging materials, clean the inside of your ice maker before using it. See the cleaning instructions in the "Ice Maker Care" section.

Location Requirements

- To ensure proper ventilation for your ice maker, the front side must be completely unobstructed. The ice maker may be closed-in on the top and three sides, but the installation should allow the ice maker to be pulled forward for servicing if necessary.
- Installation of the ice maker requires a cold water supply inlet of 1/4" (6.35 mm) OD soft copper tubing with a shutoff valve and either a gravity-drain system or condensate pump to carry the water to an existing drain.
- Choose a well ventilated area with temperatures above 55°F (13°C) and below 100°F (38°C). Best results are obtained between 70°F (21°C) and 90°F (32°C).
- This unit must be installed in an area sheltered from the elements, such as wind, rain, water spray or drips.
- When installing the ice maker under a counter, follow the recommended opening dimensions shown. Place electrical and plumbing fixtures in the recommended location as shown.

NOTES:

- Be sure the power supply cord is not pinched between the ice maker and the cabinet.
- Be sure the water supply line is not pinched between the ice maker and the cabinet.
- Be sure the drain line (on some models) is not pinched between the ice maker and the cabinet.



- Choose a location where the floor is even. It is important for the ice maker to be level in order to work properly. If needed, you can adjust the height of the ice maker by changing the height of the leveling legs. See the "Leveling" section.

Electrical Requirements

⚠ WARNING



Electrical Shock Hazard

Plug into a grounded 3 prong outlet.

Do not remove ground prong.

Do not use an adapter.

Do not use an extension cord.

Failure to follow these instructions can result in death, fire, or electrical shock.

Before you move your ice maker into its final location, it is important to make sure you have the proper electrical connection:

A 115 Volt, 60 Hz., AC only, 15- or 20-amp electrical supply, properly grounded in accordance with the National Electrical Code and local codes and ordinances, is required.

It is recommended that a separate circuit, serving only your ice maker, be provided. Use a receptacle which cannot be turned off by a switch or pull chain.

IMPORTANT: If this product is connected to a GFCI (Ground Fault Circuit Interrupter) equipped outlet, nuisance tripping of the power supply may occur, resulting in loss of cooling. Ice quality may be affected. If nuisance tripping has occurred, and if the condition of the ice appears poor, dispose of it.

Recommended grounding method

This appliance must be grounded. This appliance is equipped with a power supply cord having a 3 prong grounding plug. The cord must be plugged into a mating, 3 prong, grounding-type wall receptacle, grounded in accordance with the National Electrical Code and local codes and ordinances. If a mating wall receptacle is not available, it is the personal responsibility of the customer to have a properly grounded, 3 prong wall receptacle installed by a qualified electrician.

Water Supply Requirements

A cold water supply with water pressure of between 30 and 120 psi (207 and 827 kPa) is required to operate the ice maker. If you have questions about your water pressure, call a licensed, qualified plumber.

Reverse Osmosis Water Supply

IMPORTANT:

- Reverse osmosis water filtration systems can be used only with ice maker installations that have a gravity drain. A reverse osmosis system is not recommended for ice makers that have a drain pump installed.
- The pressure of the water supply coming out of a reverse osmosis system going to the water inlet valve of the ice maker needs to be between 30 and 120 psi (207 and 827 kPa).

If a reverse osmosis water filtration system is connected to your cold water supply, the water pressure to the reverse osmosis system needs to be a minimum of 40 to 60 psi (276 to 414 kPa).

NOTE: The reverse osmosis system must provide 1 gal. (3.8 L) of water per hour to the ice maker for proper ice maker operation. If a reverse osmosis system is desired, only a whole-house capacity reverse osmosis system, capable of maintaining the steady water supply required by the ice maker, is recommended. Faucet capacity reverse osmosis systems are not able to maintain the steady water supply required by the ice maker.

If the water pressure to the reverse osmosis system is less than 40 to 60 psi (276 to 414 kPa):

- Check to see whether the sediment filter in the reverse osmosis system is blocked. Replace the filter if necessary.
- Allow the storage tank on the reverse osmosis system to refill after heavy usage.

If you have questions about your water pressure, call a licensed, qualified plumber.

Leveling

It is important for the ice maker to be level in order to work properly. Depending upon where you install the ice maker, you may need to make several adjustments to level it. You may also use the leveling legs to lower the height of the ice maker for undercounter installations.

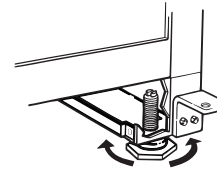
Tools needed:

Gather the required tools and parts before starting installation.

- 9" level
- Adjustable wrench

NOTE: It is easier to adjust the leveling legs if you have another person to assist you.

1. Move the ice maker to its final location.
NOTE: If this is a built-in installation, move the ice maker as close as possible to the final location.
 2. Place the level on top of the product to see if the ice maker is level from front to back and side to side.
 3. Push up on the top front of the ice maker, and then locate the leveling screws that are on the bottom front of the ice maker.
 4. Using an adjustable wrench, change the height of the legs as follows:
 - Turn the leveling leg to the right to lower that side of the ice maker.
 - Turn the leveling leg to the left to raise that side of the ice maker.
- NOTE:** The ice maker should not wobble. Use shims to add stability when needed.



5. Push up on the top rear of the ice maker and locate the leveling legs that are on the bottom rear of the ice maker.
6. Follow the instructions in Step 4 to change the height of the legs.
7. Use the level to recheck the ice maker to see that it is even from front to back and side to side. If the ice maker is not level, repeat steps 2 to 5. If the ice maker is level, go to the "Connect Water Supply" section.

Connect Water Supply

Read all directions before you begin.

IMPORTANT:

- Plumbing shall be installed in accordance with the International Plumbing Code and any local codes and ordinances.
- Use copper tubing or Whirlpool supply line, Part Number 8212547RP, and check for leaks.
- Install tubing only in areas where temperatures will remain above freezing.

Tools needed:

Gather the required tools and parts before starting installation.

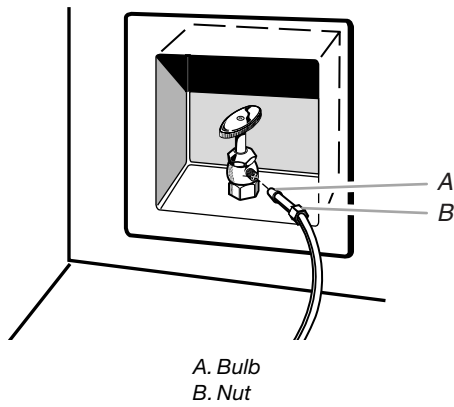
- Flat-blade screwdriver
- 7/16" and 1/2" open-end wrenches or two adjustable wrenches
- 1/4" nut driver

NOTE: Do not use a piercing-type or 3/16" (4.76 mm) saddle valve which reduces water flow and clogs more easily.

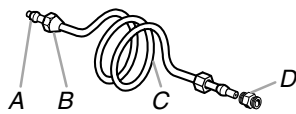
Connecting the Water Line

1. Turn off main water supply. Turn on nearest faucet long enough to clear line of water.
2. Using a 1/2" copper supply line with a quarter-turn shutoff valve or the equivalent, connect the ice maker as shown.

NOTE: To allow sufficient water flow to the ice maker a minimum ½" size copper supply line is recommended.



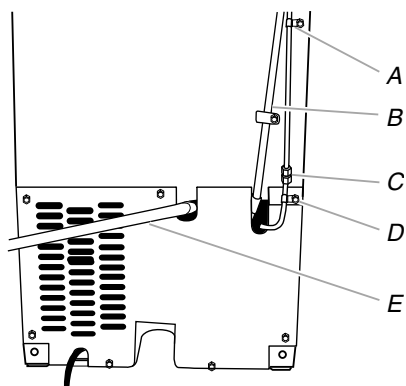
- Now you are ready to connect the copper tubing. Use ¼" (6.35 mm) OD soft copper tubing for the cold water supply.
 - Ensure that you have the proper length needed for the job. Be sure both ends of the copper tubing are cut square.
 - Slip compression sleeve and compression nut on copper tubing as shown. Insert end of tubing into outlet end squarely as far as it will go. Screw compression nut onto outlet end with adjustable wrench. Do not overtighten.



- Place the free end of the tubing into a container or sink, and turn on main water supply and flush out tubing until water is clear. Turn off shutoff valve on the water pipe.

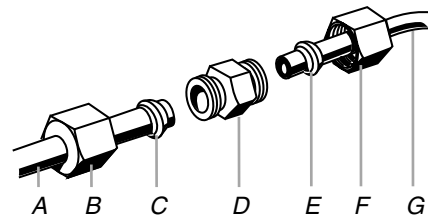
NOTE: Always drain the water line before making the final connection to the inlet of the water valve to avoid possible water valve malfunction.
- Bend the copper tubing to meet the water line inlet which is located on the back of the ice maker cabinet as shown. Leave a coil of copper tubing to allow the ice maker to be pulled out of the cabinet or away from the wall for service.

REAR VIEW



- Remove and discard the short, black plastic tube from the end of the water line inlet.
- Thread the nut onto the coupling on the end of the tubing. Tighten the nut by hand. Then tighten it with a wrench two more turns. Do not overtighten.

NOTE: To avoid rattling, be sure the copper tubing does not touch the cabinet's side wall or other parts inside the cabinet.



- Install the water supply tube clamp around the water supply line to reduce strain on the coupling.
- Turn shutoff valve ON.
- Check for leaks. Tighten any connections (including connections at the valve) or nuts that leak.

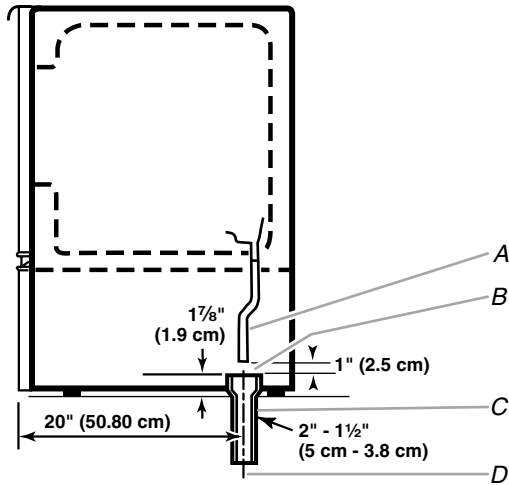
Drain Connection

Gravity Drain System

Connect the ice maker drain to your drain in accordance with all state and local codes and ordinances. If the ice maker is provided with a gravity drain system, follow these guidelines when installing drain lines. This will help keep water from flowing back into the ice maker storage bin and potentially flowing onto the floor causing water damage.

- Drain lines must have a minimum of ⅝" (15.88 mm) inside diameter.
- Drain lines must have a 1" drop per 48" (2.54 cm drop per 122 cm) of run or ¼" drop per 12" (6.35 mm per 30.48 cm) of run and must not have low points where water can settle.
- The floor drains must be large enough to accommodate drainage from all drains.
- The ideal installation has a standpipe with a 1½" (3.81 cm) to 2" (5.08 cm) PVC drain reducer installed directly below the outlet of the drain tube as shown. You must maintain a 1" (2.54 cm) air gap between the drain hose and the standpipe.
- It may be desirable to insulate the drain line thoroughly up to the drain inlet.

SIDE VIEW



- A. Drain hose
B. 1" (2.54 cm) air gap
C. PVC drain reducer
D. Center of drain should be 20" (50.80 cm) from front of door, with or without the 3/4" (1.91 cm) panel on the door. The drain should also be centered from left to right (8 13/16" from either side of the ice maker).

Drain Pump System (on some models)

Connect the ice maker drain to your drain in accordance with the International Plumbing Code and any local codes and ordinances.

NOTE: If the drain hose becomes twisted and water cannot drain, your ice maker will not work.

Connecting the Drain

After ensuring that the drain system is adequate, follow these steps to properly place the ice maker:

⚠ WARNING



Electrical Shock Hazard

- Plug into a grounded 3 prong outlet.
 - Do not remove ground prong.
 - Do not use an adapter.
 - Do not use an extension cord.
- Failure to follow these instructions can result in death, fire, or electrical shock.

1. Plug in ice maker or reconnect power.

⚠ WARNING

Excessive Weight Hazard

Use two or more people to move and install ice maker. Failure to do so can result in back or other injury.

2. **Style 1** - For gravity drain system, push the ice maker into position so that the ice maker drain tube is positioned over the PVC drain reducer. **Style 2** - For drain pump system connect the drain pump outlet hose to the drain. See "Drain Pump System" earlier in this section.
3. Recheck the ice maker to be sure that it is level. See "Leveling."
4. If it is required by your local sanitation code, seal the cabinet to the floor with an approved caulking compound after all water and electrical connections have been made.

Normal Sounds

Your new ice maker may make sounds that are not familiar to you. Because the sounds are new to you, you might be concerned about them. Most of the new sounds are normal. Hard surfaces such as floors, walls and cabinets can make the sounds seem louder than they actually are. The following describes the kinds of sounds that might be new to you and what may be making them.

- You will hear a buzzing sound when the water valve opens to fill the water reservoir for each cycle.
- Rattling noises may come from the flow of the refrigerant or the water line. Items stored on top of the ice maker can also make noises.
- The high-efficiency compressor may make a pulsating or high pitched sound.
- Water running over the evaporator plate may make a splashing sound.
- Water running from the evaporator plate to the water reservoir may make a splashing sound.
- As each cycle ends, you may hear a gurgling sound due to the refrigerant flowing in your ice maker.
- You may hear air being forced over the condenser by the condenser fan.
- During the harvest cycle, you may hear a "thud" when the ice sheet slides from the evaporator onto the cutter grid.
- When you first start the ice maker, you may hear water running continuously. The ice maker is programmed to run a rinse cycle before it begins to make ice.

ICE MAKER USE

How Your Ice Maker Works

When you first start your ice maker, the water pan will fill and the system will rinse itself before starting to make ice. The rinsing process takes about 5 minutes.

Under normal operating conditions, the ice maker will cycle at preset temperatures. The ice level sensor located in the ice storage bin will monitor the ice levels.

IMPORTANT:

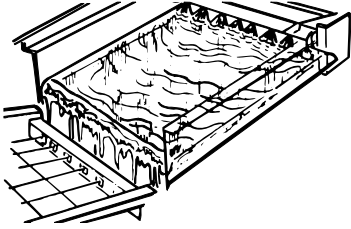
- If the water supply to the ice maker is turned off, be sure to set the ice maker control to OFF.

- The ice maker is designed to make clear ice from the majority of water sources on a daily basis. If your results are unsatisfactory, your water may need to be filtered or treated.

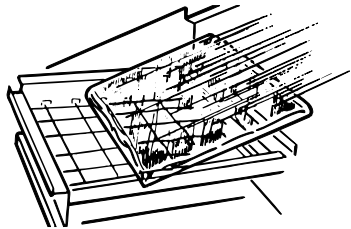
- Allow 24 hours to produce the first batch of ice. Discard the first batch produced.

The Ice Making Process

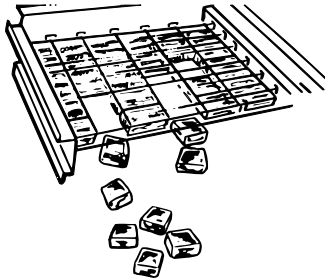
1. Water is constantly circulated over a freezing plate. As the water freezes into ice, the minerals in the water are rejected. This produces a sheet of ice with a low mineral content.



2. When the desired thickness is reached, the ice sheet is released and slides onto a cutter grid. The grid divides the sheet into individual cubes.



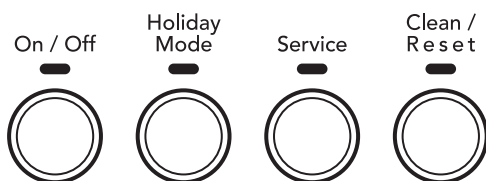
3. The water containing the rejected minerals is drained after each freezing cycle.
4. Fresh water enters the machine for the next ice making cycle.
5. Cubes fall into the storage bin. When the bin is full, the ice maker shuts off automatically and restarts when more ice is needed. The ice bin is not refrigerated, and some melting will occur. The amount of melting varies with room temperature.



NOTE: As the room and water temperatures vary, so will the amount of ice produced and stored. This means that higher operating temperatures result in reduced ice production.

Using the Controls

1. To start the normal ice making cycle, select ON.
2. To stop ice maker operation, press and hold OFF.



NOTES:

- Pressing the ON/OFF switch does not shut off power to the ice maker.

Holiday Mode

The Holiday Mode feature is designed for the traveler or for those whose religious observances require turning off the lights and the ice maker. By selecting this feature, ice production will be disabled and the interior lights will turn off.

Press and hold the Holiday Mode button to turn on the Holiday Mode feature. Press and hold the button again to turn off the feature.

Service

The service light indicates when service is needed. If the service light turns on, turn the ice maker off and back on. If the service light turns on again, call for service.

Clean/Reset

The Cleaning/Reset Status light will help you know when it is time to clean your ice maker. The light will change from green to yellow. This tells you it is almost time to clean your ice maker. It is recommended that you clean the ice maker when the status light changes to red OR ice production decreases significantly. To clean your ice maker, see "Ice Maker System" in the "Cleaning" section.

ICE MAKER CARE

Cleaning

The ice making system and the air cooled condenser need to be cleaned regularly for the ice maker to operate at peak efficiency and to avoid premature failure of system components. See the "Ice Maker System" and the "Condenser" sections.

Exterior Surfaces

Wash the exterior enamel surfaces and gaskets with warm water and mild soap or detergent. Wipe and dry. Regular use of a good household appliance cleaner and wax will help maintain the finish. Do not use abrasive cleaners on enamel surfaces as they may scratch the finish.

For products with a stainless steel exterior, use a clean sponge or soft cloth and a mild detergent in warm water. Do not use abrasive or harsh cleaners. Do not use chlorine bleach on the stainless steel surfaces.

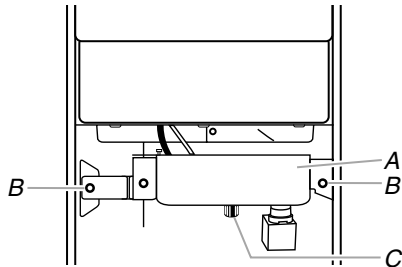
Ice Maker System

Minerals that are removed from water during the freezing cycle will eventually form a hard scaly deposit in the water system. Cleaning the system regularly helps remove the mineral scale buildup. How often you need to clean the system depends upon how hard your water is. With hard water of 15 to 20 grains/gal. (4 to 5 grains/liter), you may need to clean the system as often as every 6 months.

NOTE: Use one 16 oz (473 mL) bottle of approved ice maker cleaner. To order, call **1-800-442-9991** and ask for Part Number 4396808. In Canada, call **1-800-807-6777**.

1. Press and hold selector switch to OFF.
2. Wait 5 to 10 minutes for the ice to fall into the storage bin. Remove all ice from the storage bin.

- Unscrew the drain cap from the bottom of the water pan located inside the storage bin as shown. Allow the water to drain completely.
- Replace the drain cap securely on the water pan. If the drain cap is loose, water will empty from the water pan and you will have either thin ice or no ice.
- Read and follow all handling information on the cleaner bottle before completing the steps below. Use one 16 oz (473 mL) bottle of approved ice maker cleaner.
- Pour one bottle of solution into the water pan. Fill the bottle twice with tap water and pour it into the water pan.



A. Water pan
B. Water pan thumb screws
C. Drain cap

- Press and hold the CLEAN button. See “Using the Controls.” The light will blink, indicating that the cleaning cycle is in process. When the indicator light turns green (approximately 70 minutes), the cleaning cycle is complete. During the cleaning cycle, the system will both clean and rinse itself.
 - After the cleaning cycle is complete, remove the drain cap from the water pan. Look for any cleaning solution left in the water pan. If cleaning solution drains from the water pan, you should run the clean cycle again. Be sure to replace the drain cap securely on the water pan. If the drain cap is loose, water will empty from the water pan and you will have either thin ice or no ice.
- NOTE:** Severe scale buildup may require repeated cleaning with a fresh quantity of cleaning solution.
- Push the selector switch to ON to resume ice production.

Condenser

A dirty or clogged condenser:

- Obstructs proper airflow.
- Reduces ice making capacity.
- Causes higher than recommended operating temperatures which may lead to component failure.

⚠ WARNING

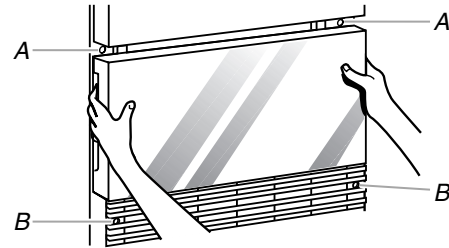


Electrical Shock Hazard

Disconnect power before cleaning.
Replace all parts and panels before operating.
Failure to do so can result in death or electrical shock.

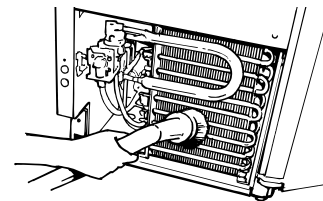
- Unplug ice maker or disconnect power.

- Remove the two screws in the lower access panel and the two screws from the base grille area of the front panel support.
- Pull the bottom forward and then pull down to remove the lower access panel.



A. Lower access panel screws
B. Base grille screws

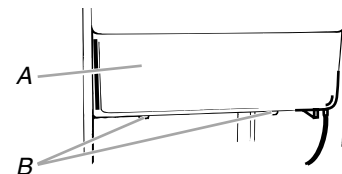
- Remove dirt and lint from the condenser fins and the unit compartment with a brush attachment on a vacuum cleaner.



- Replace the lower access panel using the four screws.
- Plug in ice maker or reconnect power.

Interior Components

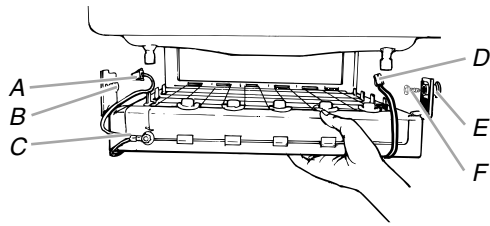
- Unplug ice maker or disconnect power.
- Open the storage bin door and remove any ice that is in the bin.
- Remove the drain cap from the water pan and drain thoroughly. Replace the drain cap securely on the water pan. If the drain cap is loose, water will empty from the water pan, and you will have either thin ice or no ice.
- Remove the two screws that hold the cutter grid cover in place and remove the cutter grid cover.
- Unplug the wiring harness from the left side of the cutter grid.



A. Cutter grid cover
B. Screws

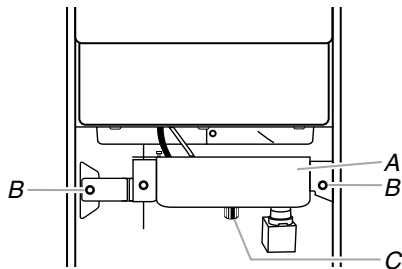
- Unplug the ice level sensor from the right side of the cutter grid. Pull the ice level sensor down and forward away from the cutter grid.
- Remove the right-hand and left-hand screws. Lift the cutter grid up and out.

NOTE: Make sure the plastic spacer from the right-hand side of the cutter grid bracket stays with the cutter grid.



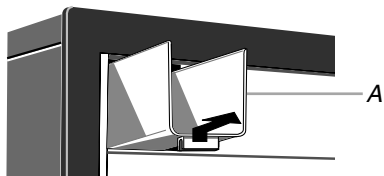
- A. Cutter grid harness
- B. Screw
- C. Cutter grid
- D. Ice level sensor harness
- E. Plastic spacer
- F. Screw

8. Remove the two thumb screws that hold the water pan in place. Push down with one hand on the front of the pan while pulling forward on the bottom back side.



- A. Water pan
- B. Water pan thumb screws
- C. Drain cap

9. Remove, clean and replace the ice scoop and ice scoop holder.
 - After removing the ice scoop, remove the holder by lifting the front free from the cutter grid cover. Then lift the back of the holder slightly to release the rear hook and pull forward.
 - Wash the ice scoop holder along with the other interior components using the following instructions.
 - Replace the ice scoop holder by aligning the rear hook with the opening (the holder angles down slightly). Slide the holder back fully until the front rests securely on the cutter grid cover.



A. Ice scoop holder

10. Wash the interior components (cutter grid, exterior of hoses, and water pan) and the storage bin, door gasket, ice scoop, and ice scoop holder with mild soap or detergent and warm water. Rinse in clean water. Then clean the same parts with a solution of 1 tbs (15 mL) of household bleach in 1 gal. (3.8 L) warm water. Rinse again thoroughly in clean water.

NOTE: Do not remove hoses. Do not wash plastic parts in dishwasher. They cannot withstand temperatures above 145°F (63°C).

11. Replace water pan by pushing back on the bottom with one hand while pushing up and back on the top. Secure the water pan by replacing both screws.

12. Check the following:
 - Drain cap from the water pan is securely in place. If the drain cap is loose, water will empty from the water pan, and you will have either thin ice or no ice.
 - Hose from water pan is inserted into storage bin drain opening.
13. Slide the cutter grid back into place and secure it by replacing the right-hand screw and plastic spacer. Then tighten the left-hand screw. Reconnect the cutter grid harness and the ice level sensor harness.
14. Replace the cutter grid cover.
15. Plug in ice maker or reconnect power.

Vacation and Moving Care

⚠ WARNING

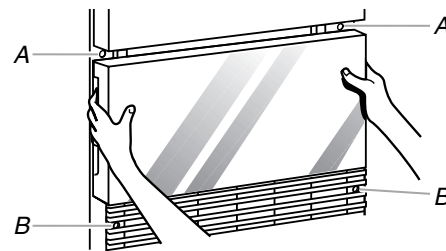


Electrical Shock Hazard

- Disconnect power before servicing.**
- Replace all parts and panels before operating.**
- Failure to do so can result in death or electrical shock.**

To shut down the ice maker:

1. Unplug ice maker or disconnect power.
2. Remove all ice from storage bin.
3. Shut off the water supply.
4. Remove the two screws in the lower access panel and the two screws from the base grille area of the front panel. Pull forward to remove the lower access panel.



- A. Lower access panel screws
- B. Base grille screws

5. Disconnect the inlet and outlet lines to water valve. Allow these lines to drain and then reconnect to the valve.
6. Replace lower access panel and screws.
7. Drain water from water pan by removing the drain cap.
8. If the room temperature will drop below 32°F (0°C), water must be removed from the drain line.

For ice makers with a drain pump installed:

- Plug in ice maker or reconnect power.
- Turn ice maker off and remove all remaining ice from ice bin.
- Pour 1 qt (0.95 L) of water into the ice bin near the drain and let the unit stand for approximately five minutes. This will allow the water in the bin to drain into the drain pump so that the pump will remove the remaining water from the ice bin and the drain pump.
- Unplug ice maker or disconnect power.

9. Before using again, clean the ice maker and storage bin.
10. Plug into a grounded 3 prong outlet.

NOTE: All components of the ice maker are permanently lubricated at the factory. They should not require any additional oiling throughout the normal life of the machine.

TROUBLESHOOTING

Try the solutions suggested here first in order to avoid the cost of an unnecessary service call.

Ice Maker Operation

Your ice maker will not operate

⚠ WARNING



Electrical Shock Hazard

Plug into a grounded 3 prong outlet.

Do not remove ground prong.

Do not use an adapter.

Do not use an extension cord.

Failure to follow these instructions can result in death, fire, or electrical shock.

- **Is the power cord plugged in?** Plug into a grounded 3 prong outlet.
- **Is the control set to ON?** Be sure that the control is set to ON.
- **Has a household fuse blown, or has a circuit breaker tripped?** Replace the fuse or reset the circuit breaker. If the problem continues, call an electrician.
- **Is the room temperature cooler than normal?** Room temperature must be above 55°F (13°C). Otherwise, bin thermostat may sense cold room temperature and shut off even though the bin is not full of ice. Also, unit may not restart once it does shut off.
- **Does the green light come on when the Clean button is pushed?** The ice maker is receiving power but may need cleaning. See “Cleaning.”
- **Does the ice maker have a drain pump?** If there was a large amount of water added to the ice maker, wait a few minutes for the drain pump to clear. If there is still water in the bin, check to see whether the drain hose is kinked.

Ice maker seems noisy

- **Is water being circulated through the ice maker?** This is normal operation. Water is added once per ice-making cycle.
- **Is the water in the reservoir overflowing?** This is normal. This overflow helps to purge minerals that were removed from the water during the ice making process.
- **Is there a “whooshing” sound?** Check the following things:
 - Make sure that the water supply is hooked up and turned on.

- Make sure that the drain cap is tight and the water drain pan pump is securely attached to the water pan.
- **Is there ice between the evaporator plate and the cutting grid?** Check that the ice maker is level. See “Leveling.” If the ice maker is level, and the problem persists, run a cleaning cycle. See “Cleaning.”

Ice Production

Ice maker runs but produces no ice

- **Is the control set to ON?** Be sure that the control is set to ON.
- **Is the water supply connected?** Make sure the water supply is properly connected and turned on.
- **Is the drain cap securely in place?** If the drain cap is loose, water will empty from the water pan, and you will have either thin ice or no ice. Tighten the drain cap.
- **Is there debris in the drain tube?** Clean the drain tube.
- **Is there a kink in the drain line?** Be sure that there are no kinks in the line.
- **Is the service light flashing on and off continually?** Call for service.

Ice maker runs but produces very little ice

- **Is the room temperature hotter than normal?** Room temperatures of more than 90°F (32°C) will normally reduce ice production.

⚠ WARNING



Electrical Shock Hazard

Disconnect power before servicing.

Replace all parts and panels before operating.

Failure to do so can result in death or electrical shock.

- **Is the condenser dirty?** Dirt or lint may be blocking the airflow through the condenser. See “Condenser” in the “Cleaning” section.
- **Is there scale buildup in the ice maker?** If there is white scale buildup in the ice maker’s water or freezing system, you should clean the ice maker. See “Interior Components” in the “Cleaning” section.
- **Is the drain cap securely in place?** If the drain cap is loose, water will empty from the water pan, and you will have either thin ice or no ice. Tighten the drain cap if it is loose.

Grid is not cutting ice sheets

- **Is the cutter grid securely in place?** Check the cutter grid harness plug to make sure the connection is intact. See “Interior Components” section of “Cleaning” for instructions on cutter grid removal.

Ice Quality

Off taste, odor or gray color in the ice

- **Is there unusually high mineral content in the water supply?** The water may need to be filtered or treated.
- **Is there mineral scale buildup?** Clean your ice maker. See “Ice Maker System” in the “Cleaning” section.
- **Are there food items stored in the ice bin?** Do not store any foods in the ice bin.
- **Were all the packaging materials removed?** Make sure that all packaging materials were removed at the time of installation.

Thin, soft or clumps of ice

- **Is there unusually high mineral content in the water supply?** The water may need to be filtered or treated.
- **Is there mineral scale buildup?** Clean your ice maker. See “Ice Maker System” in the “Cleaning” section.
- **Are there clumps of ice in the bin?** If ice is not used regularly it will melt and form clumps. Break the clumps with the ice scoop provided.

Plumbing Problems

WARNING

Excessive Weight Hazard

**Use two or more people to move and install ice maker.
Failure to do so can result in back or other injury.**

- **Is the drain hose aligned over the drain?** Move the ice maker to align the drain. See “Connect Water Supply.”

NOTE: Service technicians cannot repair plumbing problems outside of the ice maker. Call a licensed, qualified plumber.

ASSISTANCE OR SERVICE

Before calling for assistance or service, please check “Troubleshooting.” It may save you the cost of a service call. If you still need help, follow the instructions below.

When calling, please know the purchase date and the complete model and serial number of your appliance. This information will help us to better respond to your request.

If you need replacement parts

If you need to order replacement parts, we recommend that you only use factory specified parts. Factory specified parts will fit right and work right because they are made with the same precision used to build every new KITCHENAID® appliance.

To locate factory specified parts in your area, call us or your nearest designated service center.

In the U.S.A.

Call the KitchenAid Customer eXperience Center toll free: **1-800-422-1230**.

Our consultants provide assistance with:

- Features and specifications on our full line of appliances.
- Installation information.
- Use and maintenance procedures.
- Accessory and repair parts sales.
- Specialized customer assistance (Spanish speaking, hearing impaired, limited vision, etc.).
- Referrals to local dealers, repair parts distributors, and service companies. KitchenAid designated service technicians are trained to fulfill the product warranty and provide after-warranty service, anywhere in the United States.

To locate the KitchenAid designated service company in your area, you can also look in your telephone directory Yellow Pages.

For further assistance

If you need further assistance, you can write to KitchenAid with any questions or concerns at:

KitchenAid Brand Home Appliances
Customer eXperience Center
553 Benson Road
Benton Harbor, MI 49022-2692

Please include a daytime phone number in your correspondence.

In Canada

Call the KitchenAid Canada Customer eXperience Centre toll free: **1-800-807-6777**.

Our consultants provide assistance with:

- Use and maintenance procedures.
- Accessory and repair parts sales.
- Referrals to local dealers, repair parts distributors, and services companies. KitchenAid Canada designated service technicians are trained to fulfill the product warranty and provide after-warranty service, anywhere in Canada.

For further assistance

If you need further assistance, you can write to KitchenAid Canada with any questions or concerns at:

KitchenAid Canada
Customer eXperience Centre
1901 Minnesota Court
Mississauga, Ontario L5N 3A7

Please include a daytime phone number in your correspondence.

KITCHENAID® ICE MAKER WARRANTY

ONE YEAR LIMITED WARRANTY

For one year from the date of purchase, when this major appliance is operated and maintained according to instructions attached to or furnished with the product in a residential setting, KitchenAid or KitchenAid Canada (hereafter "KitchenAid") will pay for factory specified parts and repair labor to correct defects in materials or workmanship. Service must be provided by a KitchenAid designated service company.

SECOND THROUGH FIFTH YEAR LIMITED WARRANTY ON SEALED REFRIGERATION SYSTEM PARTS

In second through fifth years from the date of purchase, when this product is operated in a residential setting, and is maintained according to the instructions furnished with the product, KitchenAid will pay for replacement parts and repair labor costs to correct defects in materials or workmanship in the sealed refrigeration system. These parts are compressor, evaporator, condenser, dryer/strainer, and connecting tubing. Service must be performed by a KitchenAid designated service company.

ITEMS KITCHENAID WILL NOT PAY FOR

1. Service calls to correct the installation of your major appliance, to instruct you how to use your major appliance, to replace or repair house fuses or to correct house wiring or plumbing.
2. Service calls to repair or replace appliance light bulbs, air filters or water filters. Those consumable parts are excluded from warranty coverage.
3. Repairs when your major appliance is used for other than normal, single-family household use.
4. Damage resulting from accident, alteration, misuse, abuse, fire, flood, acts of God, improper installation, installation not in accordance with electrical or plumbing codes, or use of products not approved by KitchenAid.
5. Any food loss due to refrigerator or freezer product failures.
6. Replacement parts or repair labor costs for units operated outside the United States or Canada.
7. Pickup and delivery. This major appliance is designed to be repaired in the home.
8. Repairs to parts or systems resulting from unauthorized modifications made to the appliance.
9. Expenses for travel and transportation for product service in remote locations.
10. The removal and reinstallation of your appliance if it is installed in an inaccessible location or is not installed in accordance with published installation instructions.

DISCLAIMER OF IMPLIED WARRANTIES; LIMITATION OF REMEDIES

CUSTOMER'S SOLE AND EXCLUSIVE REMEDY UNDER THIS LIMITED WARRANTY SHALL BE PRODUCT REPAIR AS PROVIDED HEREIN. IMPLIED WARRANTIES, INCLUDING WARRANTIES OF MERCHANTABILITY OR FITNESS FOR A PARTICULAR PURPOSE, ARE LIMITED TO ONE YEAR OR THE SHORTEST PERIOD ALLOWED BY LAW. KITCHENAID SHALL NOT BE LIABLE FOR INCIDENTAL OR CONSEQUENTIAL DAMAGES. SOME STATES AND PROVINCES DO NOT ALLOW THE EXCLUSION OR LIMITATION OF INCIDENTAL OR CONSEQUENTIAL DAMAGES, OR LIMITATIONS ON THE DURATION OF IMPLIED WARRANTIES OF MERCHANTABILITY OR FITNESS, SO THESE EXCLUSIONS OR LIMITATIONS MAY NOT APPLY TO YOU. THIS WARRANTY GIVES YOU SPECIFIC LEGAL RIGHTS AND YOU MAY ALSO HAVE OTHER RIGHTS, WHICH VARY FROM STATE TO STATE OR PROVINCE TO PROVINCE.

Outside the 50 United States and Canada, this warranty does not apply. Contact your authorized KitchenAid dealer to determine if another warranty applies.

If you need service, first see the "Troubleshooting" section of the Use & Care Guide. After checking "Troubleshooting," additional help can be found by checking the "Assistance or Service" section or by calling KitchenAid. In the U.S.A., call **1-800-422-1230**. In Canada, call **1-800-807-6777**.

9/05

Keep this book and your sales slip together for future reference. You must provide proof of purchase or installation date for in-warranty service.

Write down the following information about your major appliance to better help you obtain assistance or service if you ever need it. You will need to know your complete model number and serial number. You can find this information on the model and serial number label located on the product.

Dealer name _____

Address _____

Phone number _____

Model number _____

Serial number _____

Purchase date _____

SÉCURITÉ DE LA MACHINE À GLAÇONS

Votre sécurité et celle des autres est très importante.

Nous donnons de nombreux messages de sécurité importants dans ce manuel et sur votre appareil ménager. Assurez-vous de toujours lire tous les messages de sécurité et de vous y conformer.



Voici le symbole d'alerte de sécurité.

Ce symbole d'alerte de sécurité vous signale les dangers potentiels de décès et de blessures graves à vous et à d'autres.

Tous les messages de sécurité suivront le symbole d'alerte de sécurité et le mot "DANGER" ou "AVERTISSEMENT". Ces mots signifient :

⚠ DANGER

Risque possible de décès ou de blessure grave si vous ne suivez pas immédiatement les instructions.

⚠ AVERTISSEMENT

Risque possible de décès ou de blessure grave si vous ne suivez pas les instructions.

Tous les messages de sécurité vous diront quel est le danger potentiel et vous disent comment réduire le risque de blessure et ce qui peut se produire en cas de non-respect des instructions.

IMPORTANTES INSTRUCTIONS DE SÉCURITÉ

AVERTISSEMENT : Pour réduire le risque d'incendie, de choc électrique ou de blessures lors de l'utilisation de la machine à glaçons, il convient d'observer certaines précautions élémentaires :

- Brancher sur une prise à 3 alvéoles reliée à la terre.
- Ne pas enlever la broche de liaison à la terre.
- Ne pas utiliser un adaptateur.
- Ne pas utiliser un câble de rallonge.
- Utiliser deux ou plus de personnes pour déplacer et installer la machine à glaçons.
- Déconnecter la source de courant électrique avant le nettoyage.
- Déconnecter la source de courant électrique avant l'entretien.
- Replacer pièces et panneaux avant de faire la remise en marche.

CONSERVEZ CES INSTRUCTIONS

INSTRUCTIONS D'INSTALLATION

Déballage de la machine à glaçons

⚠ AVERTISSEMENT

Risque du poids excessif

Utiliser deux ou plus de personnes pour déplacer et installer la machine à glaçons.

Le non-respect de cette instruction peut causer une blessure au dos ou d'autre blessure.

- Ne pas utiliser d'instruments acérés, d'alcool à friction, de liquides inflammables ou de nettoyants abrasifs pour enlever le ruban adhésif ou la colle. Ne pas utiliser d'eau de Javel sur les surfaces en acier inoxydable de la machine à glaçons. Ces produits peuvent endommager la surface de votre machine à glaçons.

Nettoyage avant l'utilisation

Après avoir enlevé tous les matériaux d'emballage, nettoyer l'intérieur de la machine à glaçons avant de l'utiliser. Voir les instructions de nettoyage dans la section "Entretien de la machine à glaçons".

Enlèvement des matériaux d'emballage

Enlever le ruban adhésif et la colle de la machine à glaçons avant de l'utiliser.

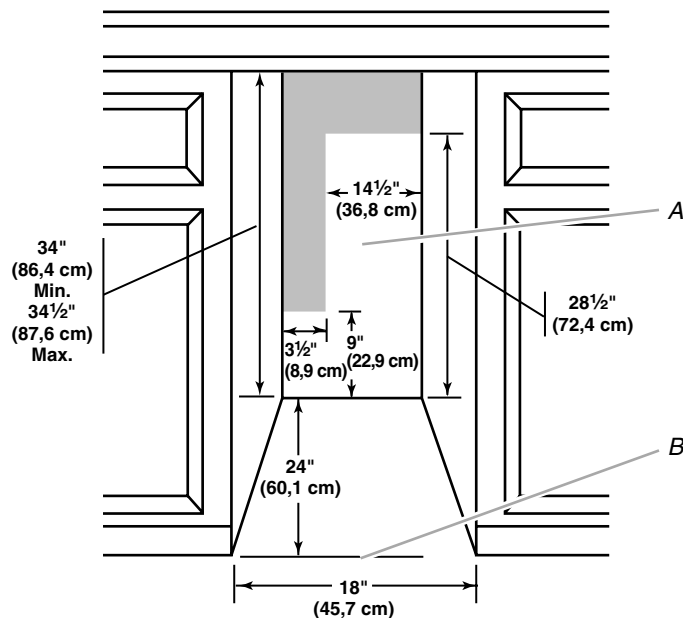
- Pour enlever ce qui reste du ruban adhésif ou de la colle de la surface extérieure de la machine à glaçons, frotter la surface vivement avec le pouce. La colle ou l'adhésif qui reste peut être facilement enlevé(e) en frottant une petite quantité de savon à vaisselle liquide sur l'adhésif avec les doigts. Rincer à l'eau tiède et essuyer.

Emplacement d'installation

- Pour assurer une bonne aération de la machine à glaçons, l'avant doit être complètement dégagé. Les trois autres côtés et le dessus de l'appareil peuvent être dissimulés, mais l'installation doit permettre de tirer la machine à glaçons vers l'avant pour l'entretien, si nécessaire.
- Pour installer la machine à glaçons, il faut avoir un tuyau souple d'alimentation en eau froide de 1/4" (6,35 mm) de dia. ext. en cuivre avec un robinet d'arrêt et un système de vidange par gravité ou une pompe à condensat pour pousser l'eau vers un drain existant.
- Choisir un endroit bien aéré où la température est supérieure à 55°F (13°C) et inférieure à 100°F (38°C). Pour tirer le meilleur rendement de l'appareil, la température ambiante doit se situer entre 70°F (21°C) et 90°F (32°C).
- Cet appareil doit être installé à un endroit protégé contre les éléments, comme le vent, la pluie, les embruns ou les égouttures.
- Lorsque l'appareil est installé sous un comptoir, observer les dimensions d'ouverture recommandées. Placer les composants électriques et de plomberie dans la zone recommandée sur l'illustration.

REMARQUES :

- Vérifier que le cordon d'alimentation n'est pas coincé entre la machine à glaçons et le placard.
- Vérifier que le conduit de raccordement à la canalisation d'eau n'est pas coincé entre la machine à glaçons et le placard.
- Vérifier que le tuyau d'évacuation (sur certains modèles) n'est pas coincé entre la machine à glaçons et le placard.



A. Zone recommandée pour les composants électriques et de plomberie

B. Niveau du plancher

- Il est recommandé de choisir un emplacement où le plancher est de niveau. Il est important que la machine à glaçons soit d'aplomb pour bien fonctionner. Au besoin, il est possible de régler la hauteur de la machine à glaçons en changeant la position des pieds de nivellement. Voir la section "Nivellement".

Spécifications électriques

⚠ AVERTISSEMENT



Risque de choc électrique

Brancher sur une prise à 3 alvéoles reliée à la terre.

Ne pas enlever la broche de liaison à la terre.

Ne pas utiliser un adaptateur.

Ne pas utiliser un câble de rallonge.

Le non-respect de ces instructions peut causer un décès, un incendie ou un choc électrique.

Avant de déplacer la machine à glaçons à son emplacement définitif, il faut s'assurer que le raccordement électrique a été fait correctement :

Il faut un circuit d'alimentation électrique CA seulement de 115 volts, 60 Hz, de 15 ou 20 ampères, mis à la terre conformément aux instructions du Code national de l'électricité et des codes et règlements locaux.

Il est recommandé de réserver un circuit spécial à la machine à glaçons. Utiliser une boîte où l'alimentation ne peut pas être coupée à l'aide d'un commutateur ou d'un interrupteur à tirage.

IMPORTANT : Si ce produit est connecté à une prise dotée d'un disjoncteur de fuite à la terre, un déclenchement intempestif peut se produire et causer une perte de refroidissement. La qualité des glaçons peut en être affectée. Si un déclenchement intempestif se produit et si les glaçons semblent être de piètre qualité, jeter le tout.

Méthode de mise à la terre recommandée

Cet appareil doit être mis à la terre. L'appareil comporte un cordon d'alimentation électrique à trois broches pour la mise à la terre. Le cordon d'alimentation électrique doit être branché sur une prise de courant murale de configuration correspondante, à trois alvéoles, reliée à la terre conformément au Code national de l'électricité et aux codes et règlements locaux. S'il n'y a pas de prise de courant correspondante, il incombe au client de faire installer une prise de courant murale à trois alvéoles mise à la terre par un électricien qualifié.

Spécifications de l'alimentation en eau

Une alimentation en eau froide avec une pression entre 30 et 120 lb/po² (207 et 827 kPa) est nécessaire pour faire fonctionner la machine à glaçons. Si vous avez des questions au sujet de la pression de votre eau, appeler un plombier qualifié agréé.

Alimentation en eau par osmose inverse

IMPORTANT :

- Les systèmes de filtration de l'eau par osmose inverse peuvent être utilisés uniquement avec des installations de machine à glaçons comportant une vidange par gravité. Un système d'osmose inverse n'est pas recommandé pour les machines à glaçons équipées d'une pompe de vidange.
- La pression de l'approvisionnement en eau provenant d'un système d'osmose inverse allant au robinet d'arrivée d'eau de la machine à glaçons doit être comprise entre 30 et 120 lb/po² (207 et 827 kPa).

Si un système de filtration de l'eau par osmose inverse est raccordé à votre approvisionnement en eau froide, la pression de l'eau au système d'osmose inverse doit être de 40 à 60 lb/po² (276 à 414 kPa) minimum.

REMARQUE : Le système par osmose inverse doit fournir 1 gal. (3,8 L) d'eau par heure à la machine à glaçons pour un fonctionnement approprié de la machine à glaçons. Si l'on souhaite un système d'eau par osmose inverse, il est recommandé d'utiliser uniquement un système de filtration de l'eau par osmose inverse central, capable de maintenir l'approvisionnement régulier en eau requis par la machine à glaçons. Les systèmes par osmose inverse à capacité de robinet ne peuvent pas maintenir l'approvisionnement régulier en eau requis par la machine à glaçons.

Si la pression de l'eau au système d'osmose inverse est inférieure à 40 à 60 lb/po² (276 à 414 kPa) :

- Vérifier si le filtre à sédiment du système d'osmose inverse est bloqué et le remplacer si nécessaire.
- Laisser le réservoir du système d'osmose inverse se remplir après une utilisation intense.

Si vous avez des questions au sujet de la pression de votre eau, appeler un plombier qualifié agréé.

Nivellement

Il est important que la machine à glaçons soit d'aplomb pour bien fonctionner. Selon l'endroit où vous installez la machine à glaçons, vous pourrez avoir à effectuer plusieurs ajustements pour la mettre d'aplomb. Vous pouvez également utiliser les pieds de nivellement pour baisser la hauteur de la machine à glaçons pour les installations sous comptoir.

Outillage nécessaire :

Rassembler les outils et pièces nécessaires avant de commencer l'installation.

- Niveau de 9"
- Clé à molette

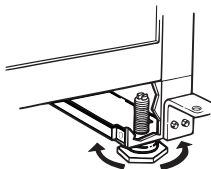
REMARQUE : Il est plus facile d'ajuster les pieds de nivellement si on se fait aider par une autre personne.

1. Déplacer la machine à glaçons à son emplacement final.

REMARQUE : Dans le cas d'une installation encastrée, déplacer la machine à glaçons le plus près possible de son emplacement final.

2. Placer le niveau sur le dessus du produit pour voir si la machine à glaçons est d'aplomb d'avant en arrière et transversalement.
3. Pousser vers le haut sur la partie supérieure avant de la machine à glaçons pour repérer les vis de nivellement qui se trouvent sur le fond avant de la machine à glaçons.
4. Au moyen d'une clé à molette, modifier la hauteur des pieds comme suit :
 - Tourner le pied de nivellement vers la droite pour abaisser ce côté de la machine à glaçons.
 - Tourner le pied de nivellement vers la gauche pour soulever ce côté de la machine à glaçons.

REMARQUE : La machine à glaçons ne devrait pas osciller. Utiliser des cales pour accroître la stabilité au besoin.



5. Pousser vers le haut sur la partie supérieure arrière de la machine à glaçons pour repérer les pieds de nivellement qui se trouvent sur le fond arrière de la machine à glaçons.
6. Suivre les instructions de l'étape 4 pour modifier la hauteur des pieds.
7. Utiliser un niveau pour vérifier que la machine à glaçons est d'aplomb d'avant en arrière et transversalement. Si elle n'est pas d'aplomb, répéter les étapes 2 à 5. Si la machine est d'aplomb, passer à la section "Raccordement à la canalisation d'eau".

Raccordement à la canalisation d'eau

Lire toutes les instructions avant de commencer.

IMPORTANT :

- L'installation de la plomberie doit être conforme au Code International de plomberie et respecter les codes et règlements locaux de plomberie.
- Utiliser un tuyau en cuivre ou le tuyau d'alimentation Whirlpool, pièce numéro 8212547RP et vérifier s'il y a des fuites.
- Installer les tuyaux seulement là où les températures resteront au-dessus du point de congélation.

Outillage nécessaire :

Rassembler les outils et pièces nécessaires avant de commencer l'installation.

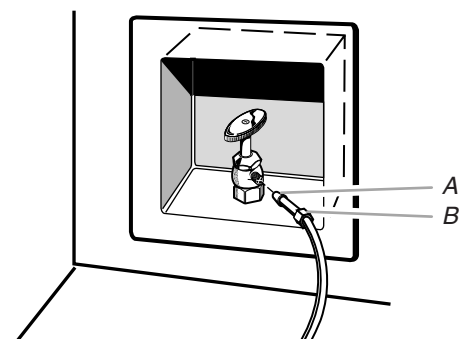
- Tournevis à lame plate
- Clés plates de 7/16" et de 1/2" ou deux clés à molette
- Tourne-écrou de 1/4"

REMARQUE : Ne pas utiliser de robinet d'arrêt à étrier perforant ou de 3/16" (4,76 mm) qui réduit le débit d'eau et qui se bouche plus facilement.

Raccordement du tuyau d'eau

1. Couper l'alimentation principale en eau. Ouvrir le robinet le plus proche assez longtemps pour vider l'eau du tuyau.
2. À l'aide d'un tuyau d'alimentation en cuivre de 1/2" avec une valve d'arrêt tournée de un quart de tour ou l'équivalent, raccorder la machine à glaçons comme à l'illustration.

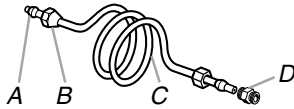
REMARQUE : Pour allouer un débit d'eau suffisant à la machine à glaçons, un tuyau d'alimentation en cuivre de 1/2" est recommandé.



A. Extrémité renflée
B. Écrou

3. On est maintenant prêt à connecter le tuyau en cuivre. Utiliser un tuyau en cuivre souple de 1/4" (6,35 mm) de diamètre extérieur pour l'alimentation en eau froide.

- S'assurer d'avoir la longueur nécessaire pour le raccordement. Il faut s'assurer que les deux extrémités du tuyau en cuivre sont bien coupées à angle droit.
- Installer le manchon et l'écrou à compression sur le tuyau en cuivre (voir l'illustration). Insérer l'extrémité du tuyau aussi profondément que possible dans l'extrémité de sortie et à l'équerre. Visser l'écrou à compression sur l'extrémité de la sortie à l'aide d'une clé réglable. Ne pas serrer à l'excès.



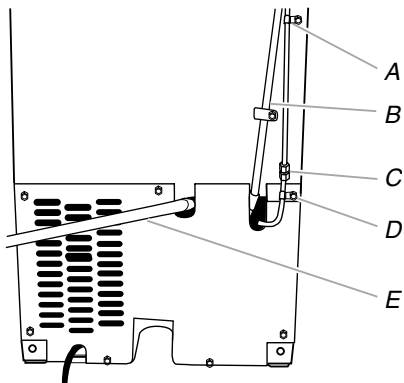
A. Manchon à compression
B. Écrou de compression
C. Tuyau en cuivre
D. Raccord (acheté)

4. Placer l'extrémité libre du tuyau dans un contenant ou évier et rétablir l'alimentation principale en eau pour nettoyer le tuyau jusqu'à ce que l'eau en sorte claire. Fermer le robinet d'arrêt sur le tuyau d'alimentation en eau.

REMARQUE : Toujours vidanger le tuyau d'alimentation en eau avant de faire le raccordement final sur l'entrée du robinet pour empêcher tout mauvais fonctionnement éventuel du robinet.

5. Courber le tuyau de cuivre de façon à faire un raccordement sur l'entrée du robinet qui se trouve à l'arrière de la machine à glaçons (voir l'illustration). Laisser un serpentin de tube en cuivre pour permettre de sortir la machine à glaçons du placard ou du mur en cas d'intervention de service.

VUE ARRIÈRE

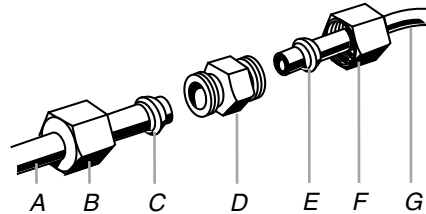


A. Bride pour tube d'arrivée d'eau
B. Tuyau d'aération (seulement pour modèles avec pompe de vidange)
C. Tube d'alimentation en eau
D. Bride pour tube d'admission d'eau
E. Tuyau de drainage (seulement pour modèles avec pompe de vidange)

6. Retirer et jeter le tube court noir en plastique de l'extrémité du tube d'admission d'eau.

7. Visser l'écrou dans le raccord à l'extrémité du tuyau. Serrer l'écrou manuellement. Ensuite le serrer deux tours de plus avec une clé. Ne pas serrer à l'excès.

REMARQUE : Pour éviter les vibrations, veiller à ce que les tuyaux en cuivre ne soient pas en contact avec les parois latérales de la caisse ou d'autres composants à l'intérieur de la caisse.



A. Canalisation jusqu'à la machine à glaçons
B. Écrou (acheté)
C. Virole (achetée)
D. Raccord (acheté)
E. Virole
F. Écrou
G. Canalisation fournie provenant de la machine à glaçons

8. Installer la bride du tube d'alimentation autour de la canalisation d'alimentation en eau pour réduire la tension sur le raccord.

9. OUVRIER le robinet d'arrêt.

10. Vérifier s'il y a des fuites. Serrer tous les raccords (y compris les raccords de la valve) ou les écrous qui coulent.

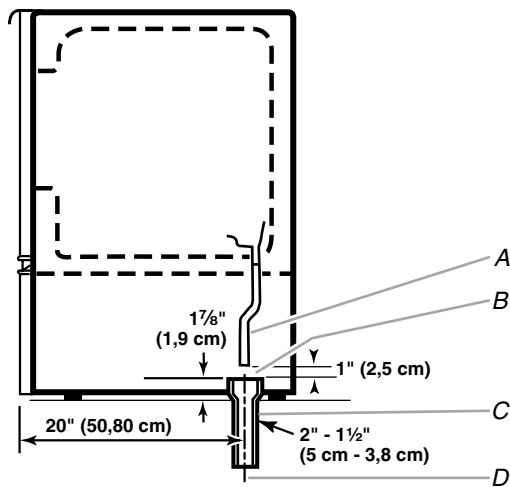
Raccordement au conduit d'évacuation

Système de vidange par gravité

Il faut raccorder le tuyau de vidange de la machine à glaçons à votre drain de vidange conformément aux codes et règlements locaux et provinciaux. Si la machine à glaçons est fournie avec un drain de vidange par gravité, il faut suivre les instructions ci-dessous lors de l'installation des tuyaux de vidange. Ceci aidera à éviter que l'eau ne refoule dans le bac d'entreposage de la machine à glaçons et éventuellement sur le plancher et ne cause des dommages.

- Les tuyaux de vidange doivent avoir au moins 5/8" (15,88 mm) de diamètre intérieur.
- Les tuyaux de vidange doivent avoir une pente de 1" pour chaque 48" (25,40 mm pour chaque 122 cm) de longueur ou une pente de 1/4" pour chaque 12" (6,35 mm/30,48 cm) et ne comporter aucun point bas où l'eau pourrait stagner.
- Les drains de vidange de plancher doivent être suffisamment grands pour recevoir l'eau de vidange provenant de toutes sources.
- L'installation idéale a un tuyau de rejet à l'égout avec un réducteur de vidange PVC de 1 1/2" (3,81 cm) à 2" (5,08 cm) installé directement sous la sortie du tuyau de vidange comme sur l'illustration. Il faut maintenir un écart anti-retour de 1" (2,54 cm) entre le tuyau de vidange et le tuyau de rejet à l'égout.
- Il sera peut-être souhaitable d'isoler le tuyau de vidange complètement jusqu'à l'entrée du drain de vidange.

VUE LATÉRALE



- A. Tuyau de vidange
B. Écart anti-retour de 1" (2,54 cm)
C. Réducteur du drain de vidange PVC
D. Le centre du drain devrait se trouver à 20" (50,80 cm) du devant de la porte (avec ou sans le panneau de 3/4" (1,91 cm) sur la porte). Le drain doit aussi être centré de gauche à droite (8 13/16" de chaque côté de la machine à glaçons).

Système à pompe de vidange (sur certains modèles)

Raccorder le drain de la machine à glaçons au drain de vidange conformément au Code international de plomberie et à tous les codes et règlements locaux.

REMARQUE : Si le tuyau de vidange devient tordu et que l'eau ne peut pas se vidanger, votre machine à glaçons ne fonctionnera pas.

Raccordement du conduit d'évacuation

Après avoir vérifié que le système de vidange est adéquat, il faut procéder tel que décrit ci-dessous pour bien mettre la machine à glaçons en place :

⚠ AVERTISSEMENT



Risque de choc électrique

- Brancher sur une prise à 3 alvéoles reliée à la terre.
- Ne pas enlever la broche de liaison à la terre.
- Ne pas utiliser un adaptateur.
- Ne pas utiliser un câble de rallonge.
- Le non-respect de ces instructions peut causer un décès, un incendie ou un choc électrique.

⚠ AVERTISSEMENT

Risque du poids excessif

Utiliser deux ou plus de personnes pour déplacer et installer la machine à glaçons.

Le non-respect de cette instruction peut causer une blessure au dos ou d'autre blessure.

- Style 1** – Pour un système de vidange par gravité, pousser la machine à glaçons en position pour que le conduit de vidange soit positionné au-dessus du réducteur de vidange en PVC. **Style 2** – Pour le système avec pompe de vidange, connecter le tuyau de sortie de la pompe au drain. Voir "Système avec pompe de vidange" précédemment dans cette section.
- Vérifier à nouveau la machine à glaçons pour s'assurer qu'elle est bien d'aplomb. Voir la section "Nivellement".
- Si le code sanitaire local l'exige, sceller la machine sur le plancher à l'aide d'un produit de calfeutrage approuvé une fois que les raccords d'eau et d'électricité ont été faits.

Sons normaux

Il est possible que votre nouvelle machine à glaçons émette des bruits qui ne vous sont pas familiers. Comme ces bruits sont nouveaux, ils peuvent vous inquiéter. La plupart de ces nouveaux bruits sont normaux. Des surfaces dures comme le plancher, les murs et les armoires peuvent faire paraître les bruits plus forts qu'en réalité. Les descriptions suivantes indiquent les genres de bruits qui peuvent être nouveaux pour vous et leur cause possible.

- Vous entendrez un bourdonnement lorsque la valve d'eau s'ouvre pour remplir le réservoir d'eau pour chaque programme.
- Des vibrations sonores peuvent provenir de l'écoulement du réfrigérant, de la canalisation d'eau ou d'articles placés sur la machine à glaçons.
- Le compresseur à haute efficacité peut produire un son aigu ou de pulsation.
- L'eau coulant sur la plaque d'évaporation peut produire un son d'éclaboussement.
- L'eau coulant de la plaque d'évaporation au réservoir d'eau peut produire un son d'éclaboussement.
- À la fin de chaque programme, vous pouvez entendre un gargouillement attribuable au réfrigérant qui circule dans votre machine à glaçons.
- Vous pouvez entendre de l'air qui est transmis au condenseur par le ventilateur du condenseur.
- Au cours du programme de récolte, vous pouvez entendre un bruit sourd lorsque la plaque de glace glisse de l'évaporateur sur la grille de coupe.
- Lors de la mise en marche initiale de la machine à glaçons, il est possible que vous entendiez l'eau couler continuellement. La machine à glaçons est programmée pour effectuer un programme de rinçage avant de commencer à fabriquer de la glace.

- Brancher la machine à glaçons ou reconnecter la source de courant électrique.

UTILISATION DE LA MACHINE À GLAÇONS

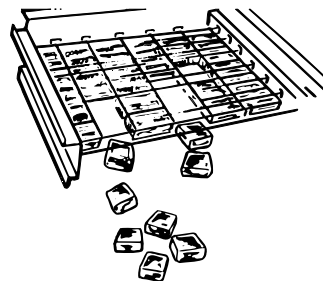
Fonctionnement de la machine à glaçons

Lors de la mise en marche initiale de la machine à glaçons, le bac d'eau se remplira et le système se rincera avant de commencer à fabriquer de la glace. Le rinçage prend environ cinq minutes.

Dans les conditions de fonctionnement normales, la machine à glaçons se mettra en marche à des températures préréglées. Le détecteur de niveau de glace dans le bac à glaçons contrôlera les niveaux de glace.

IMPORTANT :

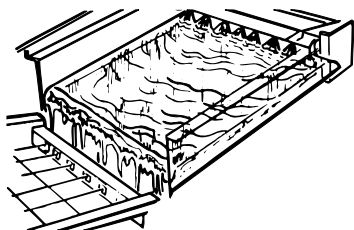
- Si l'alimentation en eau à la machine à glaçons est fermée, s'assurer que la commande de la machine à glaçons est à OFF (arrêt).
- La machine à glaçons est conçue pour fabriquer de la glace transparente à partir de la majorité des sources d'eau sur une base quotidienne. Si les résultats sont insatisfaisants, il faudra peut-être filtrer ou traiter l'eau.



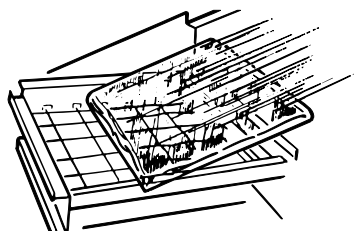
REMARQUE : Selon les variations de températures de la pièce et de l'eau, la quantité de glace produite et entreposée variera. Ceci signifie que les températures de fonctionnement plus élevées donnent une production de glace réduite.

Fabrication de la glace

1. L'eau circule constamment sur un plateau de congélation. Tandis que l'eau gèle, les minéraux qu'elle contient sont expulsés. Il en résulte une plaque de glace à faible teneur en minéraux.



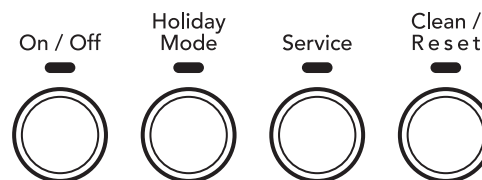
2. Une fois qu'elle a atteint l'épaisseur désirée, la plaque de glace se dégage et glisse dans une grille de coupe, où elle est taillée en glaçons.



3. L'eau contenant les déchets minéraux est évacuée après chaque programme de congélation.
4. De l'eau fraîche s'infiltré de nouveau dans la machine en vue du prochain programme de fabrication de glaçons.
5. Les glaçons tombent dans le bac à glaçons. La machine à glaçons s'arrête automatiquement dès que le bac est plein, et elle se remet en marche lorsqu'il faut plus de glaçons. Le bac à glaçons n'est pas réfrigéré et la glace fondra un peu. Le degré de fonte dépend de la température de la pièce.

Utilisation des commandes

1. Pour commencer le programme de production normale de glaçons, appuyer sur ON.
2. Pour arrêter la machine à glaçons, appuyer sans relâcher sur OFF.



REMARQUES :

- Le commutateur ON/OFF (marche/arrêt) n'arrête pas l'alimentation de la machine à glaçons.
- Accorder un délai de 24 heures pour produire la première quantité de glaçons. Jeter la première quantité de glaçons produite.

Holiday Mode (mode vacances)

La caractéristique Mode vacances est conçue pour les personnes qui voyagent ou pour celles dont les pratiques religieuses requièrent d'éteindre les lumières et la machine à glaçons. En sélectionnant cette caractéristique, la production de glaçons est désactivée et les lumières internes sont éteintes.

Appuyer sans relâcher sur le bouton Holiday Mode pour activer cette caractéristique. Appuyer à nouveau sans relâcher sur le bouton pour désactiver la caractéristique.

Témoin Service

Le témoin Service indique si une visite de service est nécessaire. Si le témoin Service est allumé, éteindre puis remettre en marche la machine à glaçons. Si le témoin Service s'allume à nouveau, faire un appel de service.

Clean/Reset (nettoyage/réinitialisation)

Le témoin de statut Cleaning/Reset vous aide à déterminer lorsqu'un nettoyage de la machine à glaçons est nécessaire. Le témoin lumineux passera du vert au jaune. Ceci indique qu'il est bientôt temps de nettoyer la machine à glaçons. On recommande de nettoyer la machine à glaçons lorsque le témoin lumineux passe au rouge OU lorsque la production de glaçons diminue de façon significative. Pour nettoyer la machine à glaçons, voir "Système de la machine à glaçons" de la section "Nettoyage".

ENTRETIEN DE LA MACHINE À GLAÇONS

Nettoyage

Le système de fabrication des glaçons et le condenseur à air refroidi doivent être nettoyés régulièrement pour que la machine à glaçons puisse fonctionner au maximum de son efficacité et afin d'éviter une défaillance prématurée des composants du système. Voir les sections "Système de la machine à glaçons" et "Condenseur".

Surfaces extérieures

Laver les surfaces extérieures en émail et les joints étanches avec de l'eau tiède et un savon doux ou un détergent. Essuyer et sécher. L'utilisation régulière d'un bon produit de nettoyage et de cire domestique aidera à protéger la finition. Ne pas utiliser de produits de nettoyage abrasifs sur les surfaces émaillées pour ne pas érafler la finition.

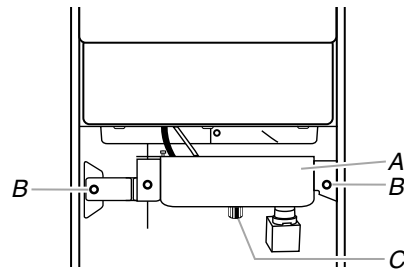
Pour les produits avec surface extérieure en acier inoxydable, utiliser une éponge ou un linge propre et un détergent doux avec de l'eau tiède. Ne pas utiliser de produits de nettoyage abrasifs ou rudes. Ne pas utiliser d'eau de Javel sur les surfaces en acier inoxydable.

Système de la machine à glaçons

Les minéraux rejetés par la circulation de l'eau pendant la congélation finiront par former un dépôt de tartre dans le système. Nettoyer périodiquement le système aide à enlever les dépôts accumulés de minéraux. La fréquence des nettoyages sera fonction de la dureté de l'eau. Lorsque l'eau est dure (15 à 20 grains/gal. [4 à 5 grains/litre]), vous devrez faire des nettoyages probablement à tous les six mois.

REMARQUE : Utiliser une bouteille de 16 oz (473 mL) de produit de nettoyage approuvé pour la machine à glaçons. Pour le commander, composer le **1-800-442-9991** et demander le numéro de pièce 4396808. Au Canada, composer le **1-800-807-6777**.

1. Placer le sélecteur en position OFF et maintenir le doigt appuyé pendant quelque temps.
2. Attendre de 5 à 10 minutes que la glace tombe dans le bac d'entreposage. Retirer toute la glace du bac d'entreposage.
3. Dévisser le capuchon de vidange du bas du bac à eau situé à l'intérieur du bac d'entreposage tel qu'illustré. Laisser l'eau se vider complètement.
4. Réinstaller le capuchon de vidange solidement sur le bac à eau. Si le capuchon de vidange est desserré, l'eau s'écoulera du bac à eau et la glace sera mince ou il n'y aura pas de glace.
5. Lire et suivre toutes les instructions apparaissant sur la bouteille avant de suivre les étapes suivantes. Utiliser une bouteille de 16 oz (473 mL) de produit de nettoyage approuvé pour la machine à glaçons.
6. Verser une bouteille de cette solution dans le bac à eau. Remplir la bouteille à deux reprises avec de l'eau du robinet et verser le contenu dans le bac à eau.



A. Bac à eau
B. Vis à ailette du bac à eau
C. Capuchon de vidange

7. Appuyer sans relâcher sur le bouton CLEAN (nettoyage). Voir "Utilisation des commandes". Le voyant clignote pour indiquer que le programme de nettoyage est en cours. Lorsque le voyant indicateur passe au vert (après 70 minutes environ), le programme de nettoyage est terminé. Pendant le programme de nettoyage, le système se nettoie et se rince.
8. Une fois que le programme de nettoyage est terminé, ôter le capuchon de vidange du bac à eau. Voir s'il reste de la solution de nettoyage dans le bac à eau. Si la solution de nettoyage se vide du bac à eau, recommencer le programme de nettoyage. Veiller à réinstaller le capuchon solidement sur le bac à eau. Si le capuchon est desserré, l'eau s'écoulera du bac à eau et la glace sera mince ou il n'y aura pas de glace.

REMARQUE : Les accumulations importantes de tartre pourraient nécessiter des nettoyages répétés avec une quantité fraîche de solution de nettoyage.

9. Remettre le sélecteur en position ON pour recommencer la production de glaçons.

Condenseur

Un condenseur sale ou obstrué :

- Entraîne l'obstruction du flux d'air.
- Réduit la capacité de production des glaçons.
- Entraîne des températures d'utilisation supérieures à celles recommandées, ce qui pourrait entraîner des pannes.

⚠ AVERTISSEMENT



Risque de choc électrique

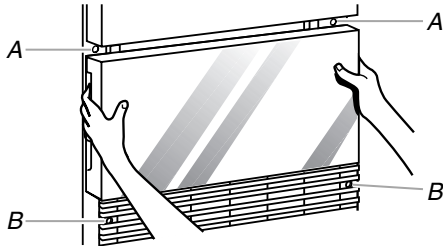
Déconnecter la source de courant électrique avant le nettoyage.

Replacer pièces et panneaux avant de faire la remise en marche.

Le non-respect de ces instructions peut causer un décès ou un choc électrique.

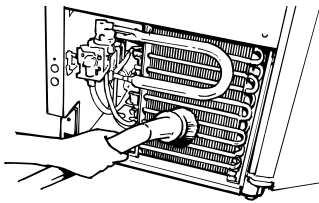
1. Débrancher la machine à glaçons ou déconnecter la source de courant électrique.

- Retirer les deux vis du panneau d'accès inférieur et les deux vis de la grille de base du support du panneau avant.
- Tirer le bas vers l'avant, puis tirer vers le bas pour retirer le panneau d'accès inférieur.



A. Vis du panneau d'accès inférieur
B. Vis de la grille de la base

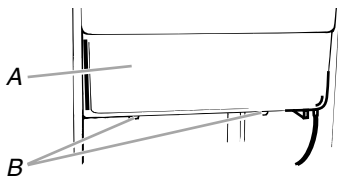
- Retirer la saleté et la charpie déposées sur les ailettes du condenseur et du logement de l'unité de condensation à l'aide de la brosse d'un aspirateur.



- Remettre le panneau d'accès inférieur en place et le fixer à l'aide des quatre vis.
- Brancher la machine à glaçons ou reconnecter la source de courant électrique.

Composants intérieurs

- Débrancher la machine à glaçons ou déconnecter la source de courant électrique.
- Ouvrir la porte où se trouve le bac à glaçons et retirer tout glaçon qui s'y trouve.
- Retirer le capuchon de vidange du réservoir d'eau et vidanger ce dernier complètement. Réinstaller le capuchon de vidange solidement sur le bac à eau. Si le capuchon de vidange est desserré, l'eau s'écoulera du bac à eau et la glace sera mince ou il n'y aura pas de glace.
- Ôter les deux vis qui maintiennent le couvercle de la grille de coupe en place et retirer le couvercle de la grille de coupe.
- Débrancher le faisceau de câblage du côté gauche de la grille de coupe.

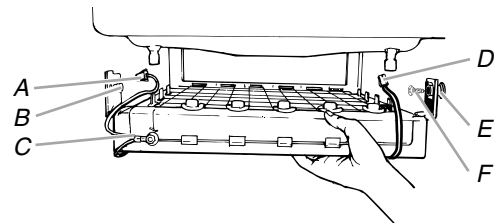


A. Couvercle de la grille de coupe
B. Vis

- Débrancher le détecteur de niveau de glaçons du côté droit de la grille de coupe. Tirer le détecteur de niveau vers le bas et vers l'avant pour l'éloigner de la grille de coupe.

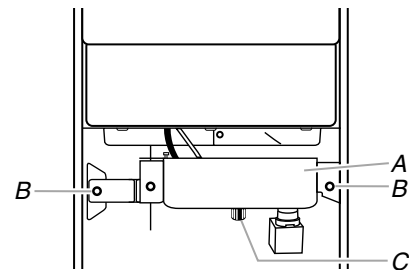
- Retirer les vis de droite et de gauche. Soulever la grille de coupe et la sortir.

REMARQUE : Il faut s'assurer que la cale d'espacement en plastique du côté droit du support de la grille de coupe reste en place sur cette dernière.



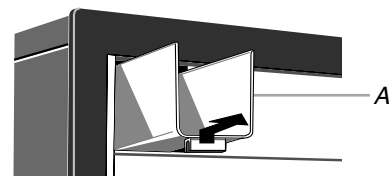
A. Faisceau de la grille de coupe
B. Vis
C. Grille de coupe
D. Faisceau du détecteur de niveau de glaçons
E. Cale d'espacement en plastique
F. Vis

- Retirer les deux vis à ailette qui maintiennent le bac à eau en place. Appuyer avec une main sur l'avant du bac tout en tirant vers l'avant sur le côté arrière inférieur.



A. Bac à eau
B. Vis à ailette du bac à eau
C. Capuchon de vidange

- Retirer, nettoyer et réinstaller la pelle à glace et son support.
 - Après avoir retiré la pelle à glace, retirer le support en soulevant l'avant pour le séparer du couvercle de la grille de coupe. Soulever ensuite l'arrière du support légèrement pour dégager le crochet arrière et tirer vers l'avant.
 - Laver le support de la pelle à glace avec les autres composants intérieurs conformément aux instructions suivantes.
 - Réinstaller le support de pelle à glace en alignant le crochet arrière avec l'ouverture (le support penche légèrement vers le bas). Glisser le support vers l'arrière jusqu'à ce que l'avant repose solidement sur le couvercle de la grille de coupe.



A. Support de pelle à glace

10. Laver les composants intérieurs (la grille de coupe, l'extérieur des tuyaux et le bac à eau), le bac d'entreposage des glaçons, le joint étanche de la porte et pelle à glace ainsi que son support avec de l'eau tiède et un savon ou un détergent doux. Rincer avec de l'eau propre. Nettoyer ensuite ces mêmes composants à l'aide d'une solution comprenant 1 cuillerée à soupe (15 mL) d'agent de blanchiment dans 1 gal (3,8 L) d'eau tiède. Rincer à nouveau à fond avec de l'eau propre.

REMARQUE : Ne pas retirer les tuyaux. Ne pas laver les composants en plastique au lave-vaisselle. Ces composants ne résistent pas à des températures supérieures à 145°F (63°C).

11. Remettre le bac à eau en place en appuyant sur le fond avec une main tout en poussant vers le haut et vers l'arrière sur le dessus. Fixer le bac à eau en mettant les deux vis en place.

12. Faire les vérifications suivantes :

- Le capuchon de vidange du bac à eau est solidement en place. Si le capuchon de vidange est desserré, l'eau s'écoulera du bac à eau et la glace sera mince ou il n'y aura pas de glace.
- Le tuyau provenant du bac à eau est inséré dans l'ouverture de vidange du bac d'entreposage.

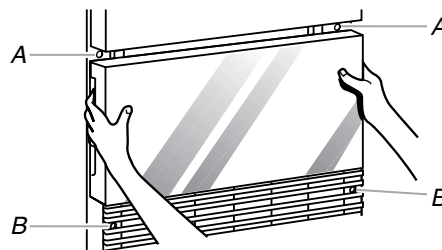
13. Glisser la grille de coupe en place et la fixer en remettant la vis du côté droit et la cale d'espacement en plastique. Serrer ensuite la vis du côté gauche. Reconnecter les faisceaux de la grille de coupe et du détecteur de niveau de glaçons.

14. Réinstaller le couvercle de la grille de coupe.

15. Brancher la machine à glaçons ou reconnecter la source de courant électrique.

3. Interrompre l'arrivée d'eau.

4. Enlever les deux vis du panneau de l'ouverture d'accès inférieure et les deux vis de la grille de la base (support du panneau avant). Tirer vers l'avant pour enlever le panneau de l'ouverture d'accès inférieure.



A. Vis du panneau d'accès inférieur
B. Vis de la grille de la base

5. Déconnecter les canalisations d'entrée et sortie sur la vanne à eau. Laisser l'eau s'écouler des canalisations, puis reconnecter les canalisations.

6. Réinstaller le panneau de l'ouverture d'accès inférieure et les vis.

7. Évacuer l'eau du bac à eau (ôter le capuchon de vidange).

8. Si la température de la pièce s'abaisse à moins de 32°F (0°C), évacuer toute eau restant dans le conduit de drainage.

Machine à glaçons avec pompe de vidange :

- Brancher la machine à glaçons ou rétablir l'alimentation de l'appareil.
- Arrêter la machine à glaçons, et enlever tous les glaçons du bac à glaçons.
- Verser 1 pinte (0,95 L) d'eau dans le réceptacle à glaçons près de l'orifice de vidange, et attendre environ cinq minutes. Ceci permettra à l'eau de s'écouler depuis le réceptacle jusqu'à la pompe de vidange pour que la pompe puisse évacuer toute l'eau qui reste dans le bac à glaçons et dans la pompe.
- Débrancher la machine à glaçons ou déconnecter la source de courant électrique.

9. Avant d'utiliser l'appareil de nouveau, nettoyer la machine à glaçons et le bac à glaçons.

10. Brancher sur une prise à 3 alvéoles reliée à la terre.

REMARQUE : Tous les composants de la machine à glaçons ont reçu une lubrification permanente à l'usine. Aucune autre lubrification ne devrait être nécessaire durant toute la vie normale de la machine.

Précautions à prendre pour les vacances ou le déménagement

⚠ AVERTISSEMENT



Risque de choc électrique

Déconnecter la source de courant électrique avant l'entretien.

Replacer pièces et panneaux avant de faire la remise en marche.

Le non-respect de ces instructions peut causer un décès ou un choc électrique.

Arrêt de la machine à glaçons :

1. Débrancher la machine à glaçons ou déconnecter la source de courant électrique.
2. Enlever tous les glaçons du bac d'entreposage.

DÉPANNAGE

Essayer d'abord les solutions suggérées ci-dessous pour éviter le coût d'une visite de service inutile.

Fonctionnement de la machine à glaçons

La machine à glaçons ne fonctionne pas

AVERTISSEMENT



Risque de choc électrique

Brancher sur une prise à 3 alvéoles reliée à la terre.

Ne pas enlever la broche de liaison à la terre.

Ne pas utiliser un adaptateur.

Ne pas utiliser un câble de rallonge.

Le non-respect de ces instructions peut causer un décès, un incendie ou un choc électrique.

- **Le cordon d'alimentation est-il branché?** Brancher l'appareil sur une prise à 3 alvéoles reliée à la terre.
- **La commande est-elle réglée à ON (marche)?** S'assurer que la commande est réglée à ON (marche).
- **Un fusible est-il grillé ou le disjoncteur s'est-il déclenché?** Remplacer le fusible ou réenclencher le disjoncteur. Si le problème persiste, appeler un électricien.
- **La température de la pièce est-elle plus basse que d'habitude?** La température de la pièce doit être supérieure à 55°F (13°C). Sinon, le thermostat du bac peut détecter une température de la pièce basse et s'arrêter même si le bac n'est pas plein de glaçons. L'appareil peut aussi ne pas se remettre en marche une fois qu'il s'éteint.
- **Le témoin vert s'allume-t-il lorsque le bouton Clean (nettoyage) est enfoncé?** La machine à glaçons est sous tension mais nécessite un nettoyage. Voir "Nettoyage".
- **La machine à glaçons comporte-t-elle une pompe de vidange?** Si une grande quantité d'eau a été ajoutée à la machine à glaçons, attendre quelques minutes pour que la pompe de vidange évacue l'eau. S'il y a de l'eau stagnante dans le bac, vérifier pour voir si le tuyau d'évacuation est déformé.

La machine à glaçons semble bruyante

- **De l'eau circule-t-elle dans la machine à glaçons?** Ceci est le fonctionnement normal. L'eau est ajoutée une fois par cycle de fabrication des glaçons.
- **L'eau dans le réservoir déborde-t-elle?** Ceci est normal. Ce débordement aide à purger les minéraux éliminés de l'eau durant le processus de fabrication des glaçons.
- **Y a-t-il un bruit de "chuintement"?** Vérifier ce qui suit :
 - S'assurer que l'alimentation en eau est correctement raccordée et branchée.

- Vérifier que le capuchon de vidange est serré et que la pompe de vidange est correctement fixée au bac à eau.
- **Y a-t-il de la glace entre la plaque de l'évaporateur et la grille de coupe?** Vérifier que la machine à glaçons est d'aplomb. Voir "Nivellement". Si la machine à glaçons est d'aplomb mais que le problème persiste, effectuer un programme de nettoyage. Voir "Nettoyage".

Production de glaçons

La machine à glaçons fonctionne mais ne produit pas de glaçons

- **La commande est-elle réglée à ON (marche)?** S'assurer que la commande est réglée à ON (marche).
- **L'alimentation en eau est-elle raccordée?** S'assurer que l'alimentation en eau est correctement reliée et branchée.
- **Le capuchon de vidange est-il bien en place?** Si le capuchon de vidange est desserré, l'eau s'écoulera du bac à eau et la glace sera mince ou il n'y aura pas de glace. Resserrer le capuchon de vidange.
- **Y a-t-il des débris dans le tube de vidange?** Nettoyer le tube de vidange.
- **La canalisation de drainage est-elle déformée?** Vérifier que la canalisation n'est pas déformée.
- **Le témoin de service clignote-t-il en permanence?** Faire un appel de service.

La machine à glaçons fonctionne mais produit très peu de glaçons

- **La température de la pièce est-elle plus élevée que d'habitude?** Les températures supérieures à 90°F (32°C) réduiront normalement la production de glaçons.

AVERTISSEMENT



Risque de choc électrique

Déconnecter la source de courant électrique avant l'entretien.

Replacer pièces et panneaux avant de faire la remise en marche.

Le non-respect de ces instructions peut causer un décès ou un choc électrique.

- **Le condenseur est-il sale?** De la saleté ou de la charpie peuvent bloquer le débit d'air passant dans le condenseur. Voir "Condenseur" dans la section "Nettoyage".

- **Y a-t-il une accumulation de tartre dans la machine à glaçons?** S'il y a une accumulation blanche de tartre dans le système d'eau ou de congélation de la machine à glaçons, il faut nettoyer l'appareil. Voir "Composants intérieurs" dans la section "Nettoyage".
- **Le capuchon de vidange est-il bien en place?** Si le capuchon de vidange est desserré, l'eau s'écoulera du bac à eau et la glace sera mince ou il n'y aura pas de glace. Resserrer le capuchon de vidange s'il est desserré.

La grille ne découpe pas les plaques de glace

- **La grille de coupe est-elle bien en place?** Vérifier la fiche de câblage de la grille de coupe pour être sûr du bon raccordement. Voir la section "Composants intérieurs" de "Nettoyage" pour les instructions pour ôter la grille de coupe.

Qualité des glaçons

Goût, odeur ou couleur grise des glaçons

- **Y a-t-il une teneur en minéraux anormalement élevée dans l'alimentation en eau?** L'eau peut avoir besoin d'être filtrée ou traitée.
- **Y a-t-il une accumulation de tartre?** Nettoyer la machine à glaçons. Voir "Système de la machine à glaçons" dans la section "Nettoyage".
- **Y a-t-il des aliments dans le bac à glaçons?** Ne pas conserver d'aliments dans le bac à glaçons.
- **Tous les matériaux d'emballage ont-ils été enlevés?** S'assurer que tous les matériaux d'emballage ont été enlevés au moment de l'installation.

Glaçons minces, mous ou agglomérés

- **Y a-t-il une teneur en minéraux anormalement élevée dans l'alimentation en eau?** L'eau peut avoir besoin d'être filtrée ou traitée.
- **Y a-t-il une accumulation de tartre?** Nettoyer la machine à glaçons. Voir "Système de la machine à glaçons" dans la section "Nettoyage".
- **Les glaçons sont-ils agglomérés dans le bac?** Si les glaçons ne sont pas utilisés régulièrement, ils fondent et forment un agglomérat. Rompre les agglomérats avec la pelle à glace fournie.

Problèmes de plomberie

AVERTISSEMENT

Risque du poids excessif

Utiliser deux ou plus de personnes pour déplacer et installer la machine à glaçons.

Le non-respect de cette instruction peut causer une blessure au dos ou d'autre blessure.

- **Le tuyau de vidange est-il aligné au-dessus de l'évacuation?** Déplacer la machine à glaçons pour qu'elle s'aligne avec l'évacuation. Voir "Raccordement à la canalisation d'eau".

REMARQUE : Les techniciens de service ne peuvent pas réparer les problèmes de plomberie à l'extérieur de la machine à glaçons. Appeler un plombier agréé et qualifié.

ASSISTANCE OU SERVICE

Avant de demander une assistance ou un service, veuillez vérifier la section "Dépannage". Cette vérification peut vous faire économiser le coût d'une visite de réparation. Si vous avez encore besoin d'aide, suivre les instructions ci-dessous.

Lors d'un appel, veuillez connaître la date d'achat et les numéros au complet de modèle et de série de votre appareil. Ces renseignements nous aideront à mieux répondre à votre demande.

Si vous avez besoin de pièces de rechange

Si vous avez besoin de commander des pièces de rechange, nous vous recommandons d'utiliser seulement des pièces spécifiées par l'usine. Les pièces spécifiées par l'usine fonctionneront bien et fonctionneront bien parce qu'elles sont fabriquées selon les mêmes spécifications précises utilisées pour construire chaque nouvel appareil KITCHENAID®.

Pour localiser des pièces spécifiées par l'usine dans votre région, téléphoner au centre de service désigné le plus proche.

Téléphoner sans frais au Centre pour l'eXpérience de la clientèle de KitchenAid Canada LP au **1-800-807-6777**.

Nos consultants fournissent l'assistance pour :

- Procédés d'utilisation et d'entretien.
- Vente d'accessoires et de pièces de rechange.
- Les références aux concessionnaires, compagnies de service et de réparation et distributeurs de pièces de rechange locaux. Les techniciens de service désignés par KitchenAid Canada sont formés pour remplir la garantie des produits et fournir un service après la garantie, partout au Canada.

Pour plus d'assistance

Si vous avez besoin de plus d'assistance, vous pouvez écrire à KitchenAid Canada en soumettant toute question ou problème à :

KitchenAid Canada
Centre pour l'eXpérience de à la clientèle
1901 Minnesota Court
Mississauga, Ontario L5N 3A7

Dans votre correspondance, veuillez indiquer un numéro de téléphone où on peut vous joindre dans la journée.

GARANTIE DE LA MACHINE À GLAÇONS KITCHENAID®

GARANTIE LIMITÉE DE UN AN

Pendant un an à compter de la date d'achat, lorsque ce gros appareil ménager est utilisé et entretenu conformément aux instructions jointes à ou fournies avec le produit, dans un contexte résidentiel, KitchenAid ou KitchenAid Canada (ci-après désignées "KitchenAid") paiera pour les pièces spécifiées par l'usine et la main-d'œuvre pour corriger les vices de matériaux ou de fabrication. Le service doit être fourni par une compagnie de service désignée par KitchenAid.

GARANTIE LIMITÉE DE LA DEUXIÈME À LA CINQUIÈME ANNÉE INCLUSIVEMENT SUR LES PIÈCES DU SYSTÈME DE RÉFRIGÉRATION SCÉLLÉ

De la deuxième à la cinquième année inclusivement à compter de la date d'achat, lorsque ce produit est utilisé dans un contexte résidentiel, et entretenu conformément aux instructions fournies avec le produit, KitchenAid paiera pour les pièces de rechange et la main-d'œuvre pour la correction des vices de matériaux ou de fabrication sur le système de réfrigération scellé. Ces pièces comprennent : compresseur, évaporateur, condenseur, séchoir/grille et conduits de connexion. Le service doit être exécuté par une compagnie de service désignée par KitchenAid.

KITCHENAID NE PRENDRA PAS EN CHARGE

1. Les visites de service pour rectifier l'installation du gros appareil ménager, montrer à l'utilisateur comment utiliser l'appareil, remplacer ou réparer des fusibles ou rectifier le câblage ou la plomberie du domicile.
2. Les visites de service pour réparer ou remplacer les ampoules électriques de l'appareil, les filtres à air ou les filtres à eau. Ces pièces consommables ne sont pas couvertes par la garantie.
3. Les réparations lorsque le gros appareil ménager est utilisé à des fins autres que l'usage unifamilial normal.
4. Les dommages imputables à : accident, modification, usage impropre ou abusif, incendie, inondation, actes de Dieu, installation fautive ou installation non conforme aux codes d'électricité ou de plomberie, ou l'utilisation de produits non approuvés par KitchenAid.
5. Toute perte d'aliments due à une défaillance du réfrigérateur ou du congélateur.
6. Le coût des pièces de rechange et de la main-d'œuvre pour les appareils utilisés hors des États-Unis ou du Canada.
7. Le ramassage et la livraison. Ce gros appareil ménager est conçu pour être réparé à domicile.
8. Les réparations aux pièces ou systèmes résultant d'une modification non autorisée faite à l'appareil.
9. Les frais de voyage ou de transport pour le service d'un produit dans les régions éloignées.
10. La dépose et la réinstallation de votre appareil si celui-ci est installé dans un endroit inaccessible ou n'est pas installé conformément aux instructions d'installation fournies.

CLAUSE D'EXONÉRATION DE RESPONSABILITÉ AU TITRE DES GARANTIES IMPLICITES; LIMITATION DES RECOURS

LE SEUL ET EXCLUSIF RECOURS DU CLIENT DANS LE CADRE DE LA PRÉSENTE GARANTIE LIMITÉE CONSISTE EN LA RÉPARATION PRÉVUE CI-DESSUS. LES GARANTIES IMPLICITES, Y COMPRIS LES GARANTIES APPLICABLES DE QUALITÉ MARCHANDE ET D'APTITUDE À UN USAGE PARTICULIER, SONT LIMITÉES À UN AN OU À LA PLUS COURTE PÉRIODE AUTORISÉE PAR LA LOI. KITCHENAID N'ASSUME AUCUNE RESPONSABILITÉ POUR LES DOMMAGES FORTUITS OU INDIRECTS. CERTAINES JURISDICTIONS NE PERMETTENT PAS L'EXCLUSION OU LA LIMITATION DES DOMMAGES FORTUITS OU INDIRECTS, OU LES LIMITATIONS DE LA DURÉE DES GARANTIES IMPLICITES DE QUALITÉ MARCHANDE OU D'APTITUDE À UN USAGE PARTICULIER, DE SORTE QUE CES EXCLUSIONS OU LIMITATIONS PEUVENT NE PAS S'APPLIQUER DANS VOTRE CAS. CETTE GARANTIE VOUS CONFÈRE DES DROITS JURIDIQUES SPÉCIFIQUES ET VOUS POUVEZ ÉGALEMENT JOUIR D'AUTRES DROITS QUI PEUVENT VARIER D'UNE JURIDICTION À UNE AUTRE.

À l'extérieur du Canada et des 50 États des États-Unis, cette garantie ne s'applique pas. Contacter votre marchand KitchenAid autorisé pour déterminer si une autre garantie s'applique.

Si vous avez besoin de service, voir d'abord la section "Dépannage" du Guide d'utilisation et d'entretien. Après avoir vérifié la section "Dépannage", de l'aide supplémentaire peut être trouvée en vérifiant la section "Assistance ou service" ou en appelant KitchenAid. Aux É.-U., composer le **1-800-422-1230**. Au Canada, composer le **1-800-807-6777**. 9/05

Conservez ce manuel et votre reçu de vente ensemble pour référence ultérieure. Pour le service sous garantie, vous devez présenter un document prouvant la date d'achat ou d'installation.

Inscrivez les renseignements suivants au sujet de votre gros appareil ménager pour mieux vous aider à obtenir assistance ou service en cas de besoin. Vous devez connaître le numéro de modèle et le numéro de série au complet. Vous trouverez ces renseignements sur la plaque signalétique située sur le produit.

Nom du marchand _____

Adresse _____

Numéro de téléphone _____

Numéro de modèle _____

Numéro de série _____

Date d'achat _____